

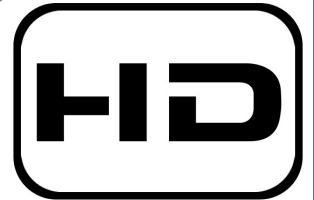
IndigoVision 11000 HD IP Camera Range

Professional High Definition (HD), full frame rate Day/ Night IP cameras

IndigoVision's 11000 range of HD, full frame rate Day/Night IP Cameras are designed to be used with the company's complete end-to-end IP Video solution and have class-leading H.264 compression technology built-in.

The cameras can be ceiling or wall mounted and use a 1/3" Progressive Scan HD Sensor, guaranteeing excellent performance.

IndigoVision's cameras enable simple and easy deployment of IP based video systems as they only require a single CAT 5 cable for connection to the network. The built-in Power-over-Ethernet support allows the camera to be powered directly from the network, reducing installation costs.



- HD Resolution
(1280 x 720 Progressive Scan)
- Excellent image quality from
1/3" Progressive scan sensor
- H.264 30 / 25 fps guaranteed
- Power-over-Ethernet for lower
installation costs
- Day/Night IP Camera with
optional full duplex audio



Specification

Camera Features

| | |
|---------------------|---|
| Video Resolution | 720p HD (1280 x 720 pixels), Widescreen 16:9 |
| Frame Rate | 30/25 fps guaranteed |
| Day/Night | True day/night with mechanical IR Cut Filter |
| Minimum Sensitivity | Color: 0.9 Lux (50 IRE, F1.2, 1/30s shutter) Mono: 0.1 Lux (50 IRE, F1.2, 1/15s shutter) |
| Wide Dynamic Range | 60dB |
| Sensor | 1/3" HD CCD, 2.5 Megapixel |

| Lens Options | Focal Length | Horizontal view angle | Max Aperture | Day/Night with IR light sources | Day/Night without IR light sources | Day only |
|----------------------------|--------------|-----------------------|--------------|---------------------------------|------------------------------------|----------|
| Standard Non IR Corrected | 2.8-8mm | 90.7° (W) 35.2° (T) | F1.2 | | ✓ | ✓ |
| Standard IR Corrected | 3-8mm | 100° (W) 35° (T) | F1.2 | ✓ | | |
| Telephoto Non IR Corrected | 5-50mm | 51.7° (W) 5.3° (T) | F1.4 | | ✓ | ✓ |
| Telephoto IR Corrected | 5-50mm | 53.8° (W) 5.5° (T) | F1.6 | ✓ | | |
| Ultra Wide IR Corrected | 1.3mm | 110° | F1.8 | ✓ | ✓ | ✓ |

When choosing a lens, lighting conditions should be considered as well as focal length. IR Corrected lenses should be used if night time scenes are illuminated by IR lights or halogen lights. If no IR lights are in use the non-IR Corrected lens will give superior video quality.

| | | |
|-------------------------|---|--|
| Gamma | Programmable, 0.45 default | |
| Gain Control | Automatic or fixed manual setting: 0 - 30 dB in 16 steps | |
| Scan Mode | Progressive Scan | |
| Mirror Mode | On or Off | |
| Flip Mode | On or Off | |
| Signal/Noise level | Better than 45 dB | |
| Shutter Mode | Global | |
| Synchronization | Internal | |
| Back Light Compensation | On or Off | |
| White Balance | Auto or Fixed (Indoor, Outdoor) or Manual | |
| Iris Control | Auto-iris DC drive lens as standard | |
| Shutter Speeds | 1/1 to 1/10,000 in 22 steps | |
| Video Compression | Full frame rate H.264 (ISO 14496-10) 30 / 25 fps guaranteed | |
| Video Bitrate Cap | 256Kbps to 8Mbps per stream. User configurable | |
| Multi-Streaming | Up to 32Mbps total video output Unlimited multicast connections Up to four 8Mbps unicast connections Up to sixteen 1Mbps unicast connections | |
| Binary Input/Output | 2 inputs ; 1 solid state relay output | |
| Network interface | RJ-45. IEEE802.3 and IETF standards: 10/100 Base-T Ethernet, TCP, UDP, IGMP, SNMP, HTTP | |
| Network Security | Embedded Linux firewall. Salted passwords with MD5 encryption | |
| Time | Embedded real-time clock, NTP client | |
| Regulatory | EN 55022(1994) ITE - Class A; EN 55024(1998) ITE immunity standard - Class A CFR47(1995) Part 15 subpart B -Class A EN 55022 (1998) ITE emission standard – Class A EN 55024 (1998) +A1:2000 +A2:2003 ITE immunity standard | EN 60068-2-1 & 2 (1993) Low & High temp EN 60068-2-6 & 64 (2008) Sinusoid & Random vibration EN 60068-2-29 (1993) Bump EN 60068-2-30 (2005) Humidity CFR47(1995) Part 15 subpart B – Class A (US federal code of regulations) |
| Electrical | Operating voltage: Power over Ethernet (802.3AF); 24V AC/DC @ 0.45A; Power consumption: 11W; 24V DC Power Supply separately orderable | |
| Operating Temperature | 0 to +40°C/+32 to +104°F | |

Specification

Camera Features

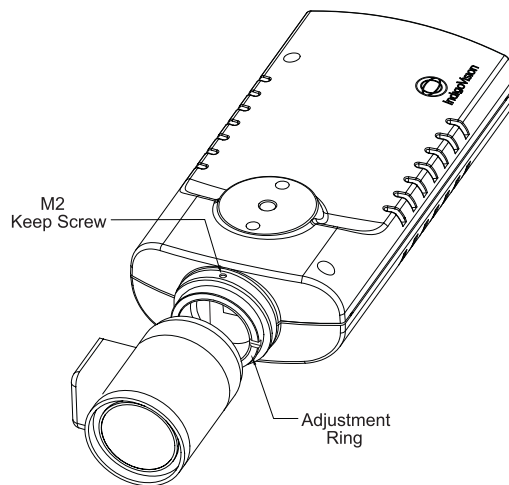
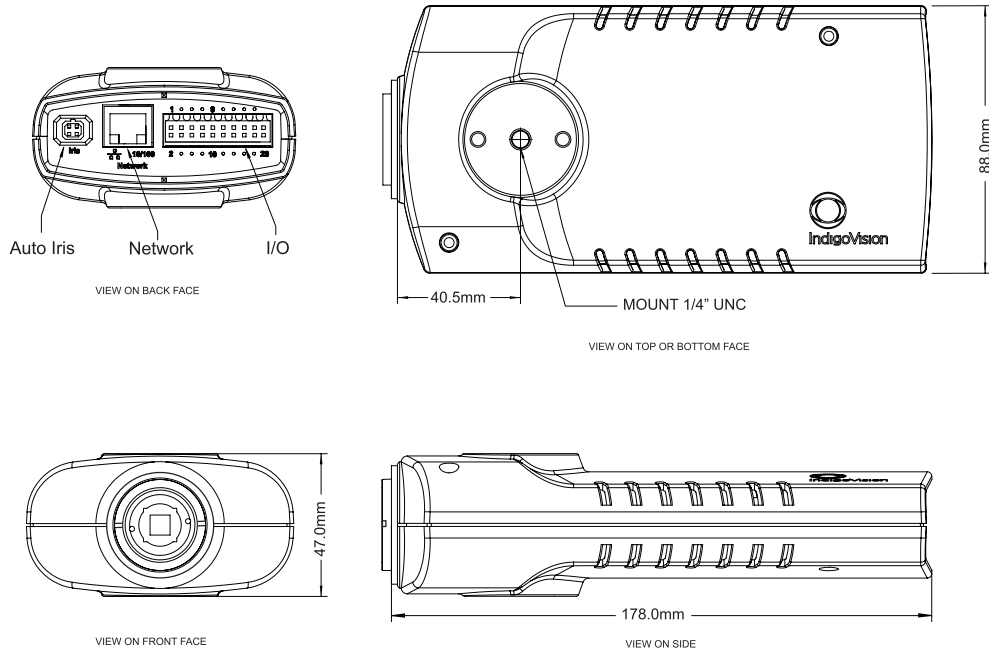
Audio Input + Mono line in terminal block connector. Nominal voltage: 1V p-p, Mic 30mVp-p. Mic type: dynamic

Audio Output + Mono line out terminal block connector. 1V p-p, Minimum load impedance: 32 Ohms

Audio Compression + Full Duplex MPEG-4 Advanced Audio Encoding; 16 kHz sample rate; 16bit resolution. Selectable 32, 48, 64 Kbps bit-rate, 100 - 7000 Hz Bandwidth

Housing Diecast Aluminium Alloy

Dimensions/Weight 175mm (d) x 88mm (w) x 45mm (h) / 0.5Kg



+Audio available as an order option