

CKS600IP WETTERSCHUTZGEHÄUSE

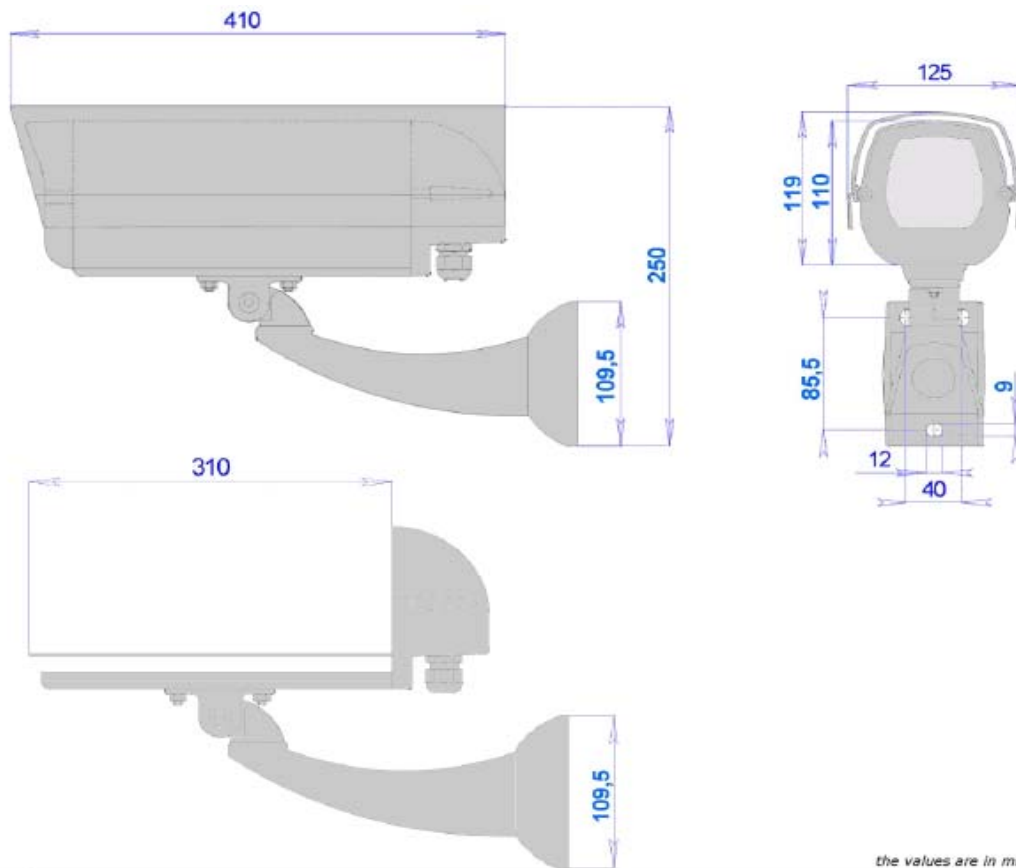


- ✓ housing true PoE for network camera
- ✓ weatherproof rating IP66
- ✓ wall, ceiling, pole, corner mounting
- ✓ made in aluminium plastic materials
- ✓ easy camera connection by PLUG & PLAY system
- ✓ power supply directly by Ethernet cable

housing true PoE for network camera

The housing model *CFP501POE* is true PoE available for network camera. Heater and fan can be powered directly from Ethernet cable (PoE), in this way camera and housing use the same source-power Ethernet without more cables.

This system "user friendly" make very easy installation because is possible to install the camera inside the housing and then installing the pre-assembled housing on site and connecting only the RJ45 plug and eventually make lens adjustment.



the values are in millimeters

TECHNICAL DATA

GENERAL

- body and sunshield made in aluminium
- painted with polyester powder RAL 7035 (light grey)
- stainless steel bolts and screws
- with silica-gel (anticondensing salt) and allen keys for opening
- extractable slide-out unit with locking system
- Ethernet cable gland
- heater PoE
- wide range of accessories
- supplied with instruction manual
- according to RoHS compliance

ELECTRICAL

- heater PoE
consumption max. 3,5W
t on 15°C t off 22°C +/- 3°C
- ventilation PoE
consumption max. 3W
t on 37°C t off 27°C +/- 3°C

MECHANICAL

- usable internal space 80x72mm (WxH)
length 310mm. (260mm. for **compact** version)
- weatherproof rating IP66
- indoor/outdoor installations
- operating temperature from -20°C to +50°C
- weight 3 Kg. (KIT version)

ACCESSORIES

- VA601** anti breacking glass
- VC601** anticondensing glass
- PSP1** PoE injector (IEEE 802.3af)

RELATED PRODUCTS

- ST5500** ceiling bracket
- SP/A** pole adaptor
- SA/A** corner adaptor
- PA1** reinforcing support plate
- PA1/SD** reinforcing support plate in weatherproof box

Specifications are subject to change without notice, weights and dimensions are indicative.